



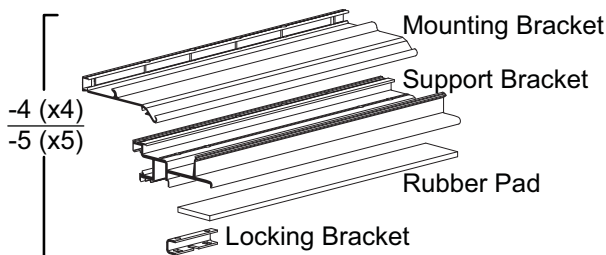
FREESTYLE RM ADAPTOR BRACKETS

Kit No: BS0014 -4 (3.5M), -5 (4M)

DODGE PROMASTER AND FIAT DUCATO

Kits

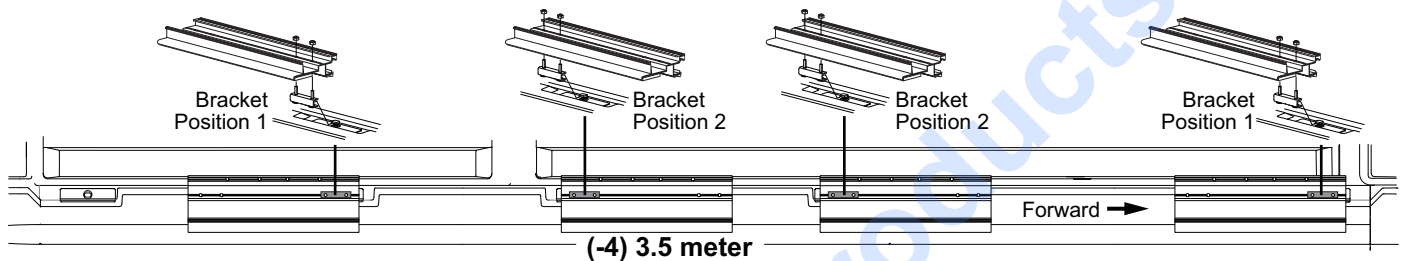
PACKAGE CONTENTS:



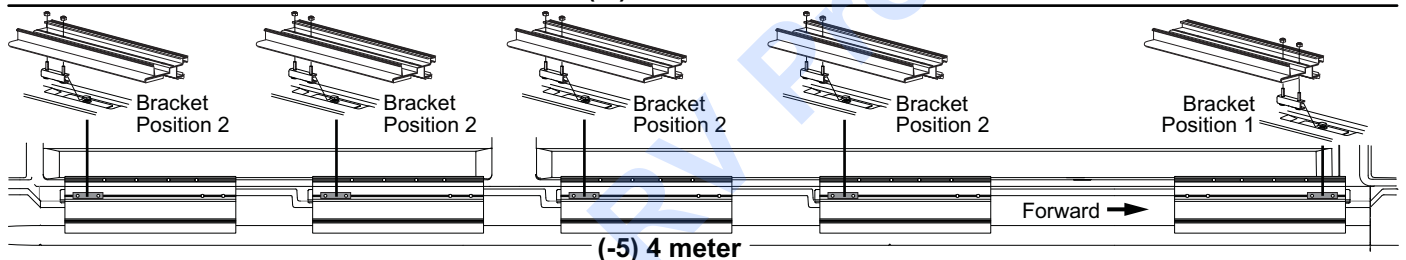
M6 x 35 Screw	M6 x 40 Screw	M6 x 35 Carriage Bolt
-4 → (x11)	(x3)	(x8)
-5 → (x13)	(x3)	(x10)
M6 Nylock Nut	M6 Square Nut	
-4 → (x8)	(x11)	
-5 → (x10)	(x13)	

BS0014b

BRACKET INSTALLATION



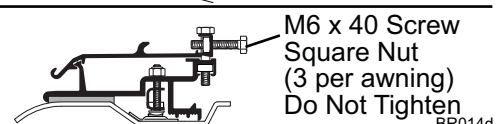
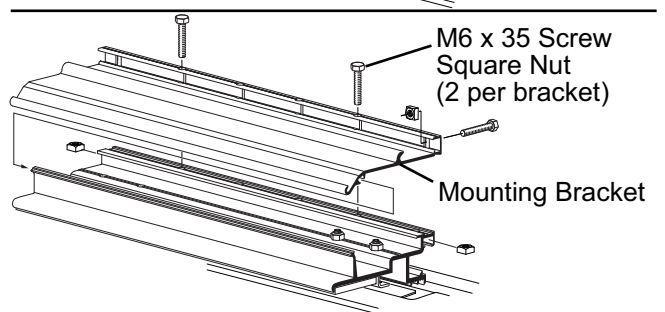
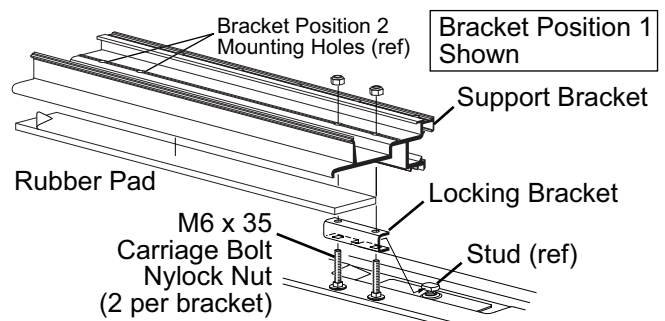
(-4) 3.5 meter



(-5) 4 meter

NOTE: To correctly support the awning, the locking brackets and support brackets must be arranged as shown. BS0014c

1. Attach the self-adhesive rubber pad to the bottom of the brackets.
2. Place two (2) M6 x 35 carriage bolts through the locking brackets.
3. Place the locking brackets onto the studs on the roof.
4. Position the support brackets over the carriage bolts. Ensure that the support brackets are positioned on the locking brackets as shown above.
5. Loosely secure each bracket with two (2) nylock nuts.
6. Ensure that the brackets are in-line then tighten the nylock nuts.
7. Slide the mounting bracket onto the support bracket and center.
8. Attach each bracket using two (2) each M6 x 35 screws and square nuts. The nuts slide into the rear channel of the support bracket.
9. In the rear track of the mounting brackets, start two (2) M6 x 20 screws and square nuts through the retaining screw holes on the outside ends of the end brackets. Start a third set in one hole of a center bracket. Do not tighten at this time.
10. Mount the awning according to the installation manual for the awning.



BR014d